

For reference only. See data sheet for the detailed specifications.

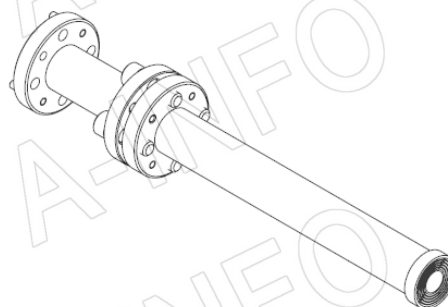
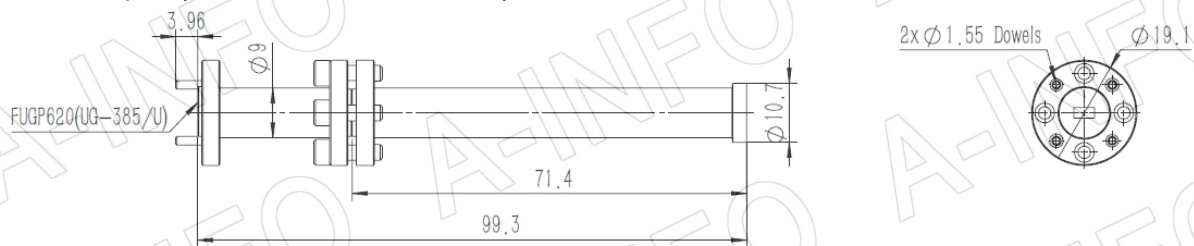
Technical Specification



Frequency Range(GHz)	A Type, WG output:	50.0 - 75.0
	C Type, 1.85mm-F:	50.0 - 65.0
	C Type, 1.0mm-F:	50.0 - 75.0
Waveguide	WR15	
Gain(dBi)	10 Typ.	
Polarization	Linear	
3dB Beamwidth(deg)	E Plane:	62 Typ.
	H Plane:	63 Typ.
10dB Beamwidth(deg)	E Plane:	110 Typ.
	H Plane:	112 Typ.
Cross Pol. Isolation(dB)	35 Typ.	
VSWR	A Type:	1.25:1 Typ.
	C Type:	1.50:1 Typ.
Output	A Type:	FUGP620(UG-385/U)
	C Type:	1.85mm-Female or 1.0mm-Female
Material	Cu	
Finish	Gold Plated	
Size(mm)	A Type:	19.1 x 19.1 x 99.3
	C Type:	19.1 x 26.7 x 127.3
Net Weight(Kg)	A Type:	0.06 Around
	C Type:	0.09 Around

Outline Drawing (Size: mm)

FUGP620 Output (P/N: LB-ACH-15-10-A)



AINFO Inc.

China(Beijing): Tel: (+86) 10-6266-7326,
China(Chengdu): Tel: (+86) 28-8519-2786,
USA: Tel: (+1) 949-639-9688,

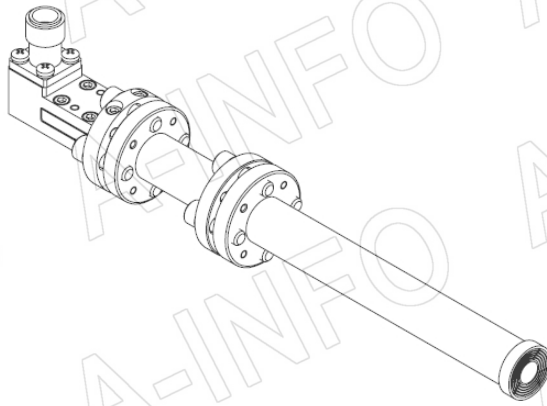
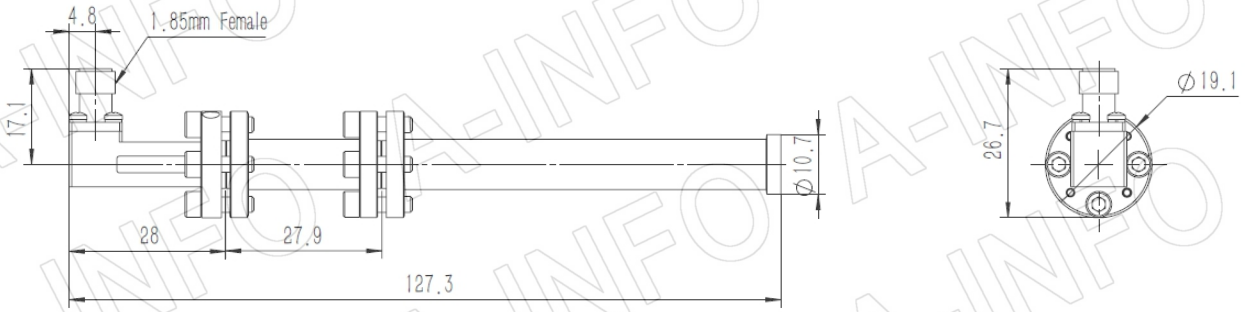
Page 1 of 12

(+86) 10-6266-7327 Fax: (+86) 10-6266-7379
(+86) 28-8519-3044 Fax: (+86) 28-8519-3068
(+1) 949-639-9608 Fax: (+1) 949-639-9670

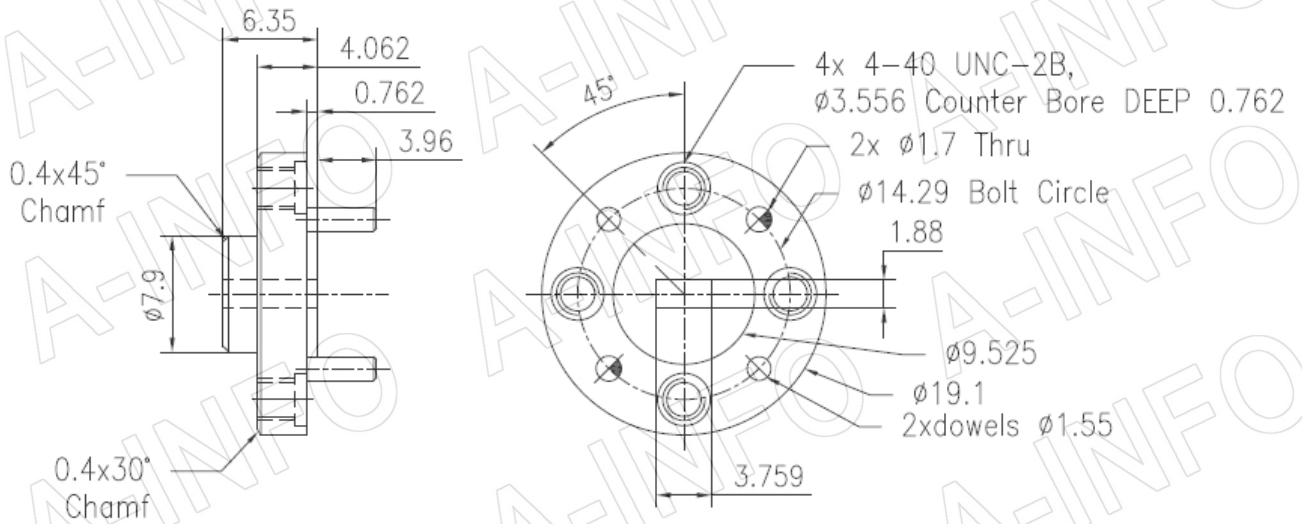
Website: www.ainfoinc.com
Email: sales@ainfoinc.com

1.85mm-Female Output (P/N: LB-ACH-15-10-C-1.85F)

For 1.0mm-Female output outline drawing, please contact A-INFO.



Flange Drawing (Size: mm)



FUGP620
(equivalent to UG-385/U)

AINFO Inc.

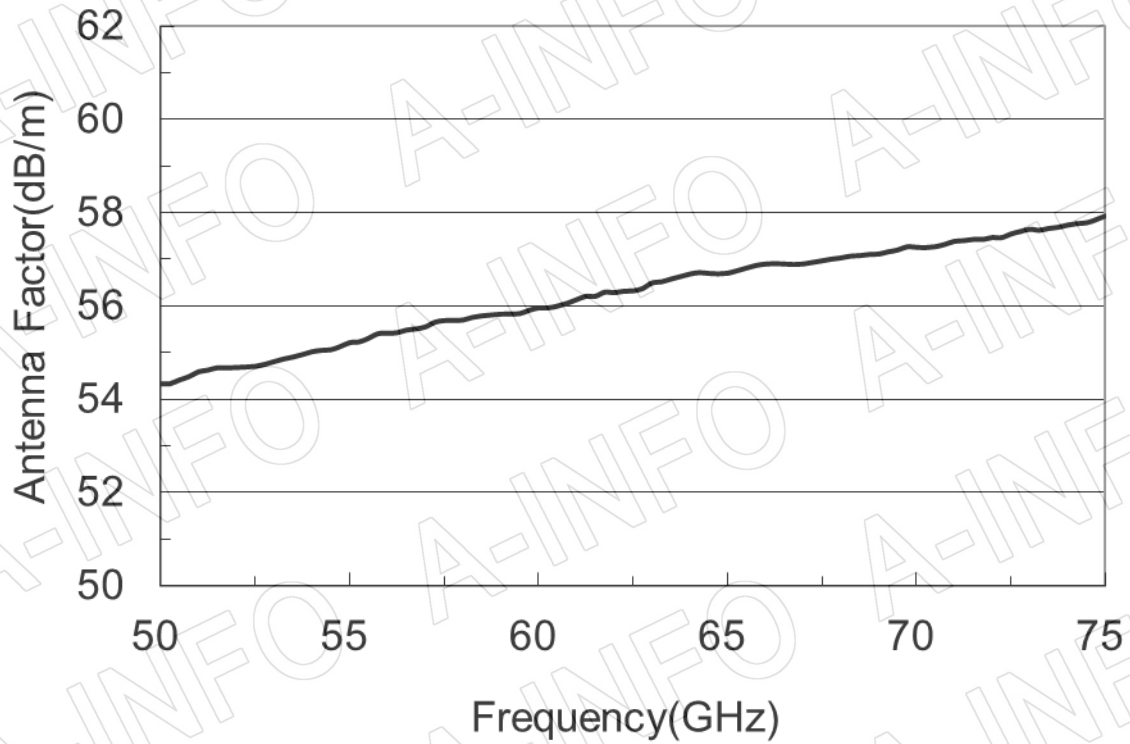
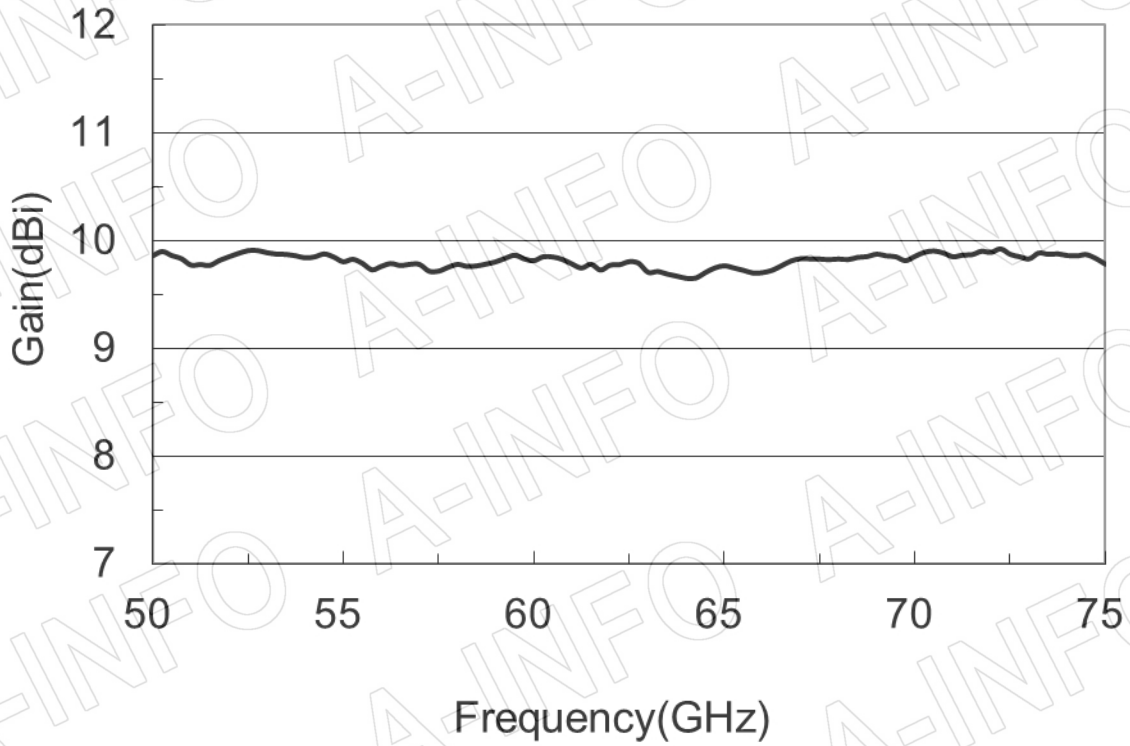
China(Beijing): Tel: (+86) 10-6266-7326,
China(Chengdu): Tel: (+86) 28-8519-2786,
USA: Tel: (+1) 949-639-9688,

Page 2 of 12
(+86) 10-6266-7327 Fax: (+86) 10-6266-7379
(+86) 28-8519-3044 Fax: (+86) 28-8519-3068
(+1) 949-639-9608 Fax: (+1) 949-639-9670

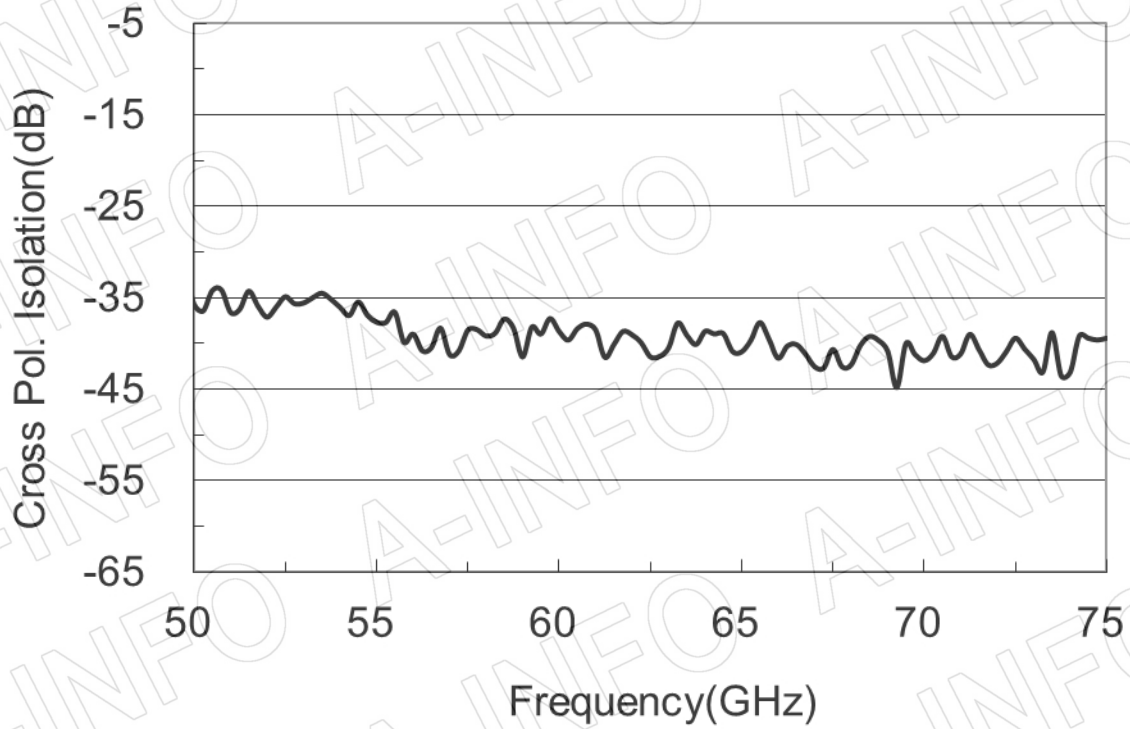
Website: www.ainfoinc.com
Email: sales@ainfoinc.com

Test Results

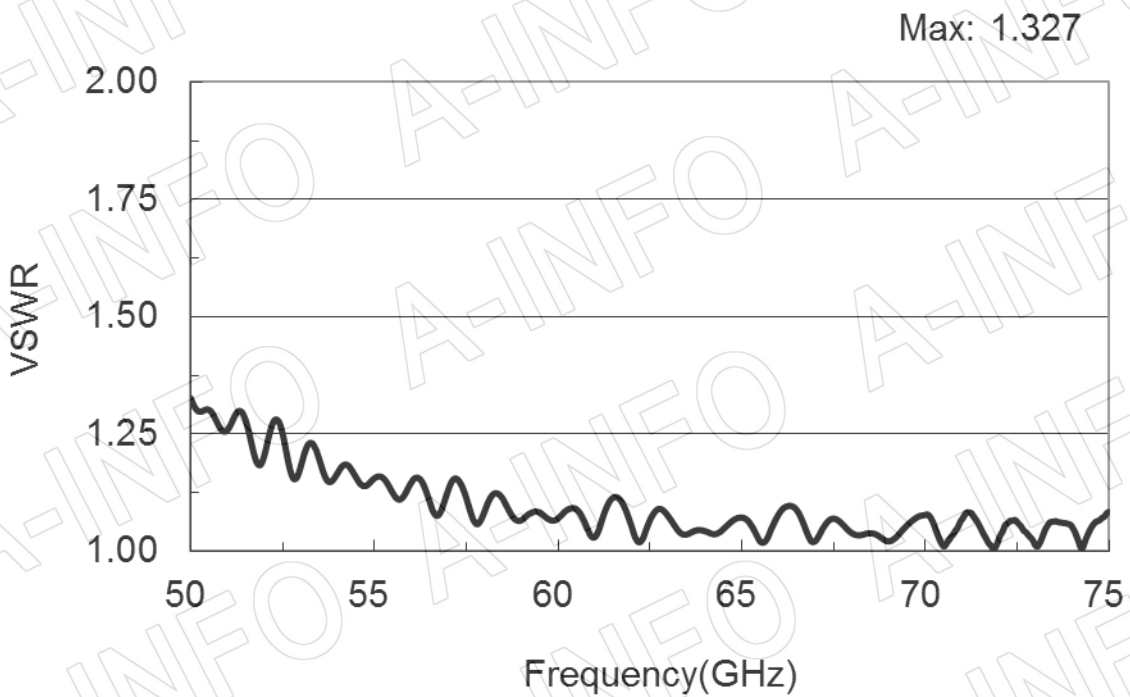
1. Gain & Antenna Factor



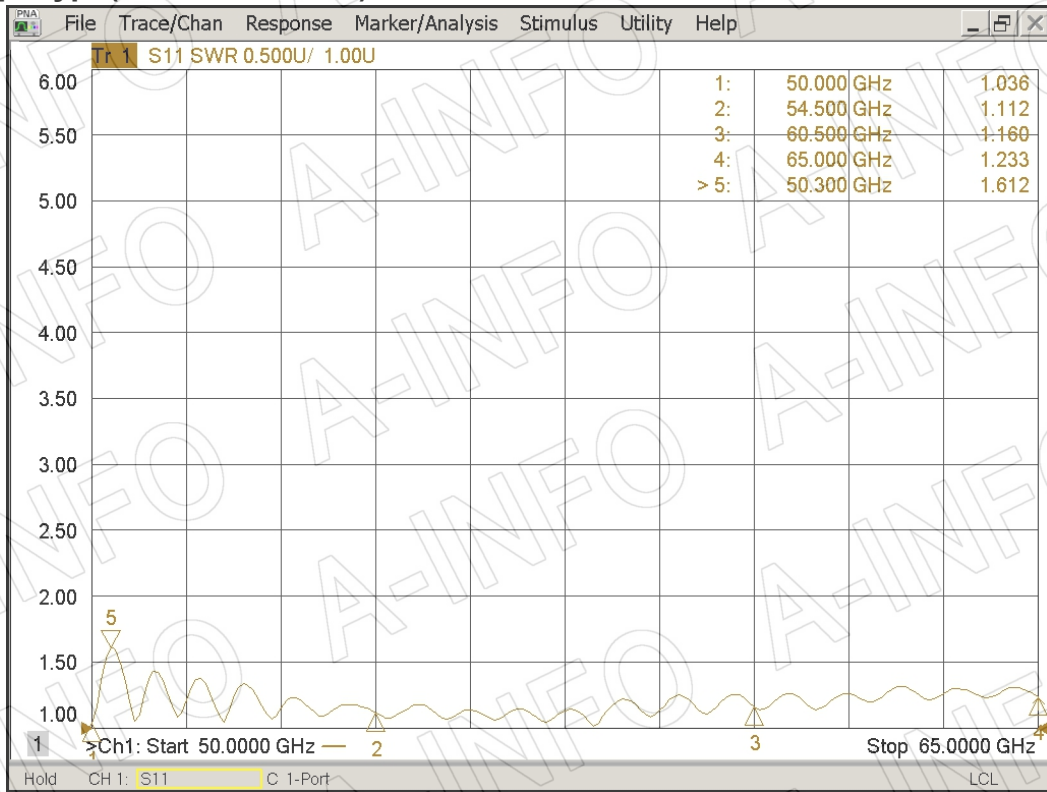
2. Cross Polarization Isolation



3. VSWR_A Type



VSWR_C Type(1.85mm-Female)



4. Pattern

